



SOUND ASSOCIATES, INC.

T4 WIRELESS TRANSMITTER

TRANSMITTER, REPEATER FOR I-CAPTION®, D-SCRIPTIVE™ AND SHOWTRANS® SYSTEMS

The T4 is designed to serve as both the transmitter and repeaters for the I-Caption, D-Scriptive and ShowTrans systems. It transmits cue information from the control station to R4 audio and video hand-held receivers. The fully automated system is designed to display captions, audio description or multilingual commentary to wireless receivers.

The T4 Transmitter when coupled with the R4 Receiver and the CS-3 Control Unit will display I-Caption slides of verbatim closed captions or subtitling. The T4 can also trigger playback of prerecorded audio files in mp3 format on the R4 for audio description for the blind or multi-lingual audio commentary.

The primary T4 transmitter / coordinator is hardwired to the CS-3 control unit and broadcasts cue information to the receivers via a wireless mesh network in the 2.4 GHz range. Additional, T4 repeaters can be added to the network to increase coverage. Repeaters can be either wireless or hardwired with CAT5E cable terminated in an EtherCon connector. Voltage is supplied to the T4 via the CAT5E cable for cable runs under 150 ft, otherwise local 5-7 VDC is required.

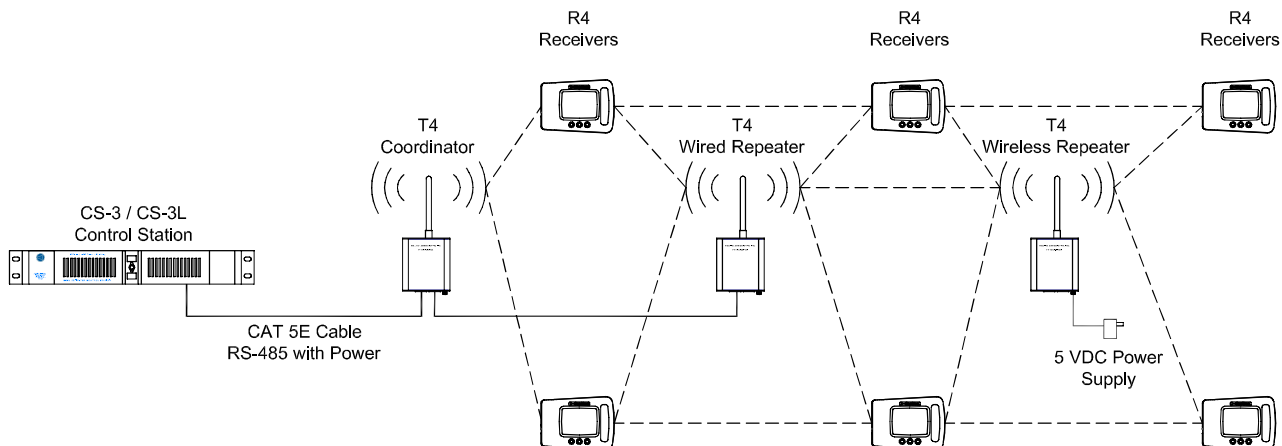
The T4 Repeater unit incorporates a sensitive RF transceiver utilizing a peer-to-peer protocol in 2.4 GHz range for operation in global markets. This innovative mesh protocol offers added network stability through self-healing, self-discovery, and dense network operation.



Includes:
1/4 wave tilt/swivel antenna
and 5 VDC power supply

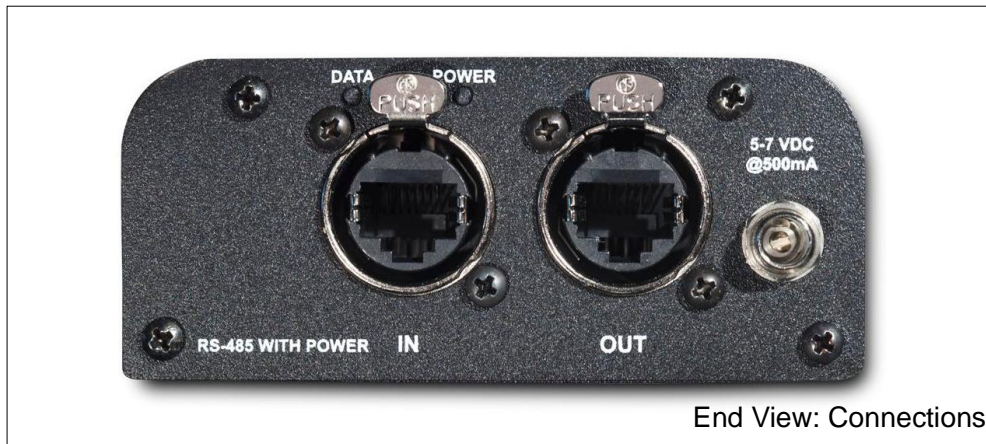
Features:

- Utilizes an innovative 2.4 GHz mesh network specifically designed to work in high traffic radio transmission areas.
- Wireless repeaters can be added as needed.
- Covers approximately 200 ft radius in ideal situations.
- Strong metal case with EtherCon Connectors makes it extremely durable in harsh environments.
- Universal mount allows it to attach to wall, ceiling or microphone stand.
- Hardwired transmitter receive RS-485 information and power down a standard CAT5E cable terminated in a EtherCon connector.





SOUND ASSOCIATES, INC.



End View: Connections

Technical Specification:

I/O Connections/Indicators

Input	EtherCon connection - RS-485 with power
Output/Link	EtherCon connection - RS-485 with power
External Power Jack	2.5 mm DC power jack with locking thread
Antenna Connector	RP-SMA threaded connector
Power Indicator	Solid red LED
Data Indicator	Flashing red LED while data is transmitting

RF Characteristics

Operating Frequency	ISM 2.4 GHz
Output Power	50mW (10dBm)
Range	200 ft. from receiver to closest transceiver, transmitter or repeater
Receiver Sensitivity	-100 dBm (1% packet error rate)
RF Data Response	250,000 bps
Agency Approvals	U.S. (FCC Part 15, Canada (IC), Europe - CE (ETSI, Japan (Telec), Australia (C-Tick)

Power

Operation	5 to 7 VDC
Current Draw	Nominal 100 mA
Supply Line	Either CAT5E cable terminated in EtherCon connector
Operation Temperature	0 to 50 degrees C

Mechanical

Mechanical Dimensions	4.25" x 3.75" x 1.5" 12" x 3.75" x 1.5" (antenna fully extended straight out)
Weight	8 oz.
Finish/Material (Front)	Textured black powder-coat aluminum chassis

Warranty

The T4 Transmitter / repeaters is covered by a full three-year warranty, from the original date of purchase, against defects in workmanship or materials. If any component fails due to defects in craftsmanship or materials, we will repair or replace the component without charge. The factory warranty does not cover malfunctions due to abuse or operation other than specified.

424 West 45th Street, New York, NY 10036 TEL: 212-757-5679

TOLL FREE 888-772-SOUND (888-772-7686)

www.soundassociates.com